

Product technical sheet

SOLO 0685



3 - 12 years



2 kids



11,5 m²

Material specification

- Powder galvanized and powder coated or stainless steel construction of 80 x 80 mm profile,
- Platform made of durable HDPE plate, resistant to weather conditions,
- Handles made of durable HDPE plate, resistant to weather conditions,
- Screws covered with plastic caps and/or stainless steel screws,
- Safe end caps on top of the structure made of synthetic material,



Physical development

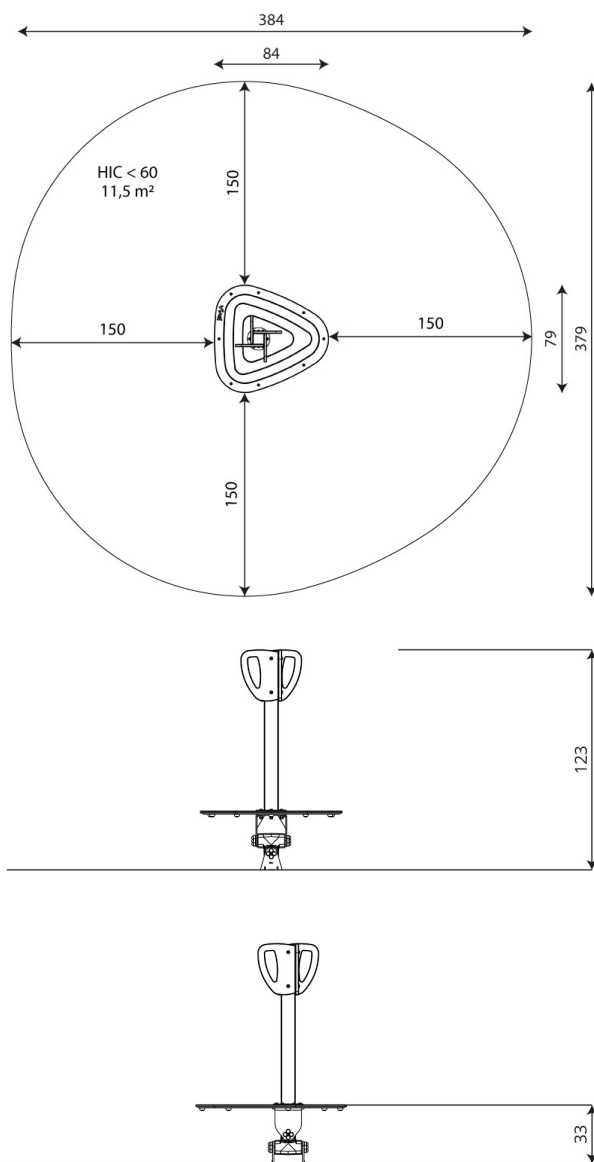


balance



rocking





Product technical sheet

SOLO 0685

Product data

Length	84 cm
Width	79 cm
Total height	123 cm
Age group	3 - 12 years
Number of users	2 kids
Safety zone	11,5 m2
Free fall height	<60 cm
The height of the platforms	33 cm
In accordance with norm EN	1176-1:2017
Weight of the heaviest part	29 kg
Dimensions of the largest part	8479x1 cm
Availability of spare parts	YES
Installation time	1,5 h
Color options	

Data is subject to change without prior notice.

Additional information

- equipment intended for public playgrounds;
- equipment has a certificate issued by an accredited entity or a declaration of conformity;
- no sharp edges or chinks that would pose a danger of jimmie the head, fingers or any other body parts;
- anchoring on flat surface, 80/70/60 cm deep;
- render is for reference only, the actual appearance of the equipment and its color may vary;

Guarantee

30 30 year guarantee - Structural strength of steel and stainless steel components

15 15 year guarantee - Structural failure of steel and stainless steel, for dynamic equipment

10 10 year guarantee - Structural failure of high density polyethylene and high pressure laminates components

5 5 year guarantee - Corrosion of stainless steel and hot dip galvanized and powder coated components; against bark beetles and rot in case of wooden structural elements

Detailed information in the guarantee card



SOLO 0685

Surfaces according to EN 1176-1:2017

	Description (mm)	Layer thickness (cm)	Maximum fall heights (cm)
Turf/ top layer of soil (A,B,C)	-	-	≤100
bark (A,C)	Particle size from 20 to 80	30	≤200
		40	≤300
woodchips (A,C)	Particle size from 5 to 30	30	≤200
		40	≤300
sand or gravel (A,C)	Particle size from 0,25 to 8	30	≤200
		40	≤300
synthetic attested (A,B,C)	Tested according to EN 1177		60

Amount of safe surface corresponding with free fall height:

HIC <60 11,5 m²

Data is subject to change without prior notice.

